

**TANK ALERT® I ALARM SYSTEM**



Model #	Description	List
101	Indoor Alarm Box Only c/w 6' cord (115V)	\$168.00
101HW15AB	Indoor High Water Alarm c/w 6' PowerCord (115V) c/w 15' Signalmaster Control Switch	\$245.00
101HW30AB	Indoor High Water Alarm c/w 6' Cord (115V) c/w 30' Signalmaster Control Switch	\$292.00
101LW15AB	Indoor Low Water Alarm c/w 6' Power Cord (115V) c/w 15' Signalmaster Control Switch	\$245.00
101LW30AB	Indoor Low Water Alarm c/w 6' Cord (115V) c/w 30' Signalmaster Control Switch	\$292.00
XT	Outdoor Alarm Box Only Switch Sold Separately	\$338.00
XPERT	WFI Messenger Alarm Switch Sold Separately	\$602.00

**TANK ALERT® AB ALARM**

**FEATURES:**

- NEMA 1 enclosure rated for indoor use.
- Automatic alarm reset.
- Red "alarm" light and green "power on" light, alarm "test" switch, and horn "silence" switch.
- Alarm horn sounds at 86 decibels at 10 feet (3 meters).
- Can be used with any UL Listed switching mechanism rated to include 1 amp, 12 VDC load.
- If primary power fails, the alarm system continues to work due to battery backup feature.
- Complete package includes standard SJE SignalMaster control switch with 15 feet (4.57 meters) of cable (other lengths available) and mounting clamp.
- Switching mechanism operates on low voltage and is isolated from the power line to reduce the possibility of shock.
- External terminal block for easy float switch installation.
- CSA Certified.



See back for floats

**SJE S.J. ELECTRO SYSTEMS, INC.**  
 Quality Liquid Level Controls & Alarms

## SJE SIGNALMASTER CONTROL SWITCH

**Mechanically-activated, narrow-angle float switch designed to activate pump control panels and alarms.**

This narrow-angle sensing device is used to accurately monitor liquid levels in:

- potable water
- water
- sewage applications

The SJE SignalMaster control switch is not sensitive to rotation.

### Normally Open Model (high level)

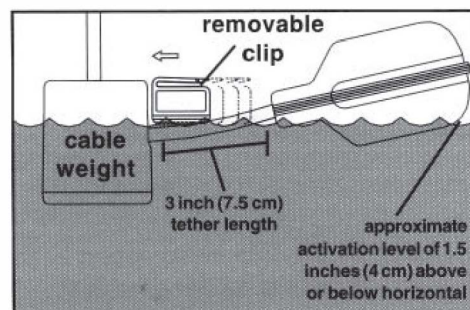
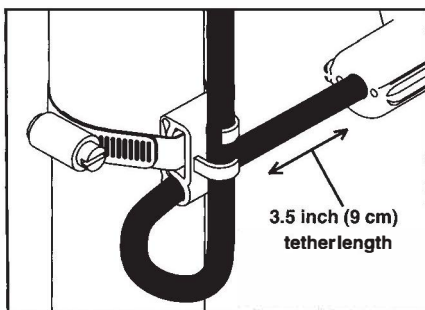
The control switch turns on (closes) when the float tips slightly above horizontal signaling a high level, and turns off (opens) when the float drops slightly below horizontal.

### Normally Closed Model (low level)

The control switch turns on (closes) when the float tips slightly below horizontal signaling a low level, and turn off (opens) when the float tips slightly above horizontal.

## SJE SIGNALMASTER CONTROL SWITCH

Model #	Description	List
15SGMPCNC	Pump/UP	\$88.00
15SGMPCNO	Pump/DOWN	\$88.00
30SGMPCNC	Pump/UP	\$106.50
30SGMPCNO	Pump/DOWN	\$106.50
30SGMSPDTPC	Pump/UP-or-DOWN	\$128.00



*Sentry* **WIRELESS**  
**LIQUID LEVEL ALARM** MODEL 110



**OPERATION**

Monitor water level in pump chambers, cisterns, holding tanks, floor drains or truck tanks. The indoor alarm will warn of a threatening level condition.

- Green – power on, monitoring
- Red flashing and audio pulsing– alarm condition
- Yellow – probe or wireless communication error
- Audio chirp – low batteries in outdoor unit

Audio can be silenced with the push button. Audio will reset when the alarm condition is corrected.

HIGH LEVEL alarm condition occurs when the liquid level rises to touch the probe. An example is a septic tank.

LOW LEVEL alarm condition occurs when the liquid level falls below the probe. An example is a cistern.

HIGH or LOW level function is selected when the unit is installed

**FEATURES**

- Outdoor NEMA 4 weatherproof battery powered wireless enclosure with 5m (15ft) probe
- Indoor alarm display with audible alarm auto reset
- Wireless range 90m (300 feet), ISM 2.4 GHz, ICC and FCC 15 approved, 12 frequencies
- Low battery warning
- Wireless communication error detection
- HIGH or LOW function selectable
- Digital RF proximity probe
- Accuracy of probe best in industry; +/- 3mm (1/8")

**SPECIFICATIONS**

- Power supply 120VAC, 60 Hz, UL listed and CSA certified (indoor unit)
- Battery life 3 years; four AA batteries
- -40 °C to 85 °C rating on outdoor wireless
- Solid state transducer, 85db min @ 10 cm
- Probe - stainless steel, type 304, 22mm diameter x 95mm long, 2 conductor, 18Ga, SJOOW jacket, 5m cable length standard

**OPTIONS**

- Additional outdoor enclosures for multiple alarms
- Wireless test tool
- Custom probe lengths and control applications

**LIST PRICE \$567.00**

