



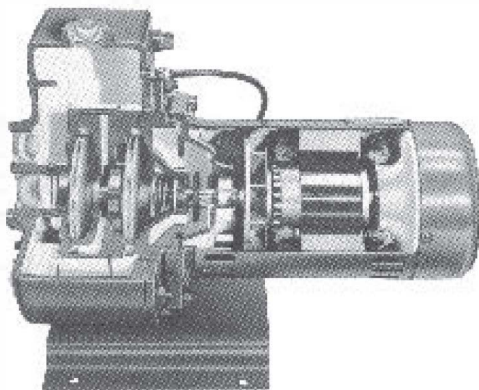
**BERKELEY HORIZONTAL MULTI-STAGE
 JET PUMPS LESS EJECTOR**

Model #	H.P.	Volts	S.F.	Amps	Max. Depth	List
10LT2	1	115/230	1.65	19.2/9.6	160'	\$2655.00
15LT2	1 1/2	115/230	1.47	24/12	160'	\$3274.00

NOTE: All units wired 230V. Units can be supplied prewired to 115V upon request.

EJECTOR KITS

Model #	H.P.	Min. Well Dia.		Max. Press.	Max. Depth	List
29SD	3/4	4"		100 P.S.I.	25'	\$ 228.00
10SD	1 & 1 1/2	4"		109 - 121	25'	\$ 228.00
CK3	1	4"		111 P.S.I.	60'-130'	\$ 228.00
CK3	1 & 1 1/2	4"		130 P.S.I.	60'-130'	\$ 228.00
CK4	1 1/2	4"		100 P.S.I.	20'-80'	\$ 228.00
15 SD	3/4	4"		107 P.S.I.	160'	\$ 228.00
2-8AP	3/4	2"		84 P.S.I.	110'	\$ 228.00
2-8AP	1	2"		97 P.S.I.	120'	\$ 228.00
2-8AP	1 1/2	2"		102 P.S.I.	130'	\$ 228.00
J216-13A		2" Casing Adaptor				
J216-14A		3" Casing Adaptor				\$ 269.00



PP1633 1 1/2 Overhaul Kit \$ 483.00

2024



STANLEY PUMP SUPPLY LTD.

"Suppliers of Quality Water Well Products."

PUMP PERFORMANCE - Pkg. #107 and Jet not required

H.P.	CAT. NO.	TOTAL SUCT. LIFT FT.	DISCHARGE PRESSURE - P.S.I.					SUCT. PIPE	DISCH. PIPE	SWITCH SETTING	SHUT OFF PRESS P.S.I.	
			20	30	40	50	60					
			CAPACITY - GALLONS PER HOUR									
3/4	7LT2	5	2040	1710	1320	810	1 1/4	1	30-50	60.5		
		10	1960	1620	1200	690						
		15	1860	1530	1110	540						
		20	1710	1470	1020	390						
		25	1470	1350	900							
1	10LT2	5	2670	2310	1860	1350	1 1/4	1	30-50	65		
		10	2600	2190	1770	1230					630	
		15	2520	2100	1650	1080					420	
		20	2360	2010	1550	930						
		25	2040	1860	1310	750						
1 1/2	15LT2	5	3420	3030	2580	2070	1 1/4	1	30-50	70		
		10	3300	2940	2460	1920					1380	
		15	3180	2850	2360	1770					1200	
		20	3040	2730	2250	1650					990	720
		25	2520	2400	2130	1500						

PUMP PERFORMANCE - Shallow Well with Jet Assembly

*Shut Off Pressure in lbs.

H.P.	CAT. NO.	DISCH PRESS PSI	TOTAL SUCTION LIFT FT.				
			5	10	15	20	25
			CAPACITY - GALLONS PER HOUR				
3/4	7LT2	20	576	492	420	348	234
		30	546	474	390	336	234
		40	528	462	378	336	234
		50	510	456	372	336	234
		60	462	438	372	336	234
		70	330	306	282	252	216
		80	210	186	168	138	114
		*S.O.	100	97	96	94	92
1	10LT2	20	780	672	588	468	348
		30	750	660	570	456	342
		40	732	654	564	456	342
		50	726	648	552	456	342
		60	720	648	552	456	342
		70	612	576	516	444	342
		80	444	408	372	330	288
		*S.O.	109	108	106	104	101
1 1/2	15LT2	20	954	798	732	573	420
		30	936	792	732	570	420
		40	918	786	726	564	414
		50	894	780	714	558	408
		60	864	774	702	552	402
		70	822	762	690	540	396
		80	756	726	648	522	384
		90	570	510	468	432	342
		100	354	300	264	228	192
		*S.O.	121	118	116	114	106