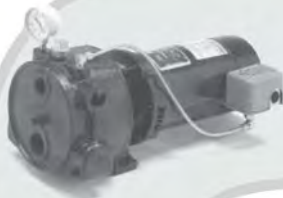




FRANKLIN JET PUMPS

Model #	HP	Volts	Amps	Max Depth	List
FE05CI-C	1/2	115/230	9.6/4.8	80'	\$1368.00
FE07CI-C	3/4	115/230	12.8/6.4	90'	\$1462.00
FP1CI-C	1	115/230	13.2/6.6	100'	\$2187.00



"C" Series c/w s/s impeller & shallow well injector installed at factory

CYCLONE SHALLOW WELL JET PUMP
Thermoplastic Case / Non Corrosive



Model #	HP	Volts	Amps	Max Depth	List
FSWJ05P	1/2	115/230	9.6/4.8	20'	\$964.00
FSWJ07P	3/4	115/230	9.6/4.8	20'	\$1033.00

1 1/4" Suction x 1" Discharge

DEEP WELL INJECTOR



Model #	Body	Suction/Press.	Well Dia.	List
147E	Iron	1 1/4x1"	4"	\$310.00

FRANKLIN

2024



STANLEY PUMP SUPPLY LTD.

"Suppliers of Quality Water Well Products."

C SERIES PERFORMANCE

Deep Well - Injector (4" min. i.d. well)

Full Service Factor

DEEP-WELL PERFORMANCE

Model No.	IIP	Injector Order No.	Total Suction Lift (ft)	Discharge Pressure (PSI)					Shut-off Pressure (PSI)
				30	35	40	45	50	
				Gallons Per Minute (GPM)					
FE05CI-C	1/2	147E1018	20	10.5	8.5	7.0	6.0	4.5	61
			30	8.5	7.0	5.5	4.0	3.5	59
			40	7.0	5.5	4.5	3.5	2.5	57
			50	5.5	4.5	4.0	3.0	2.0	55
			60	4.5	3.5	3.0	2.0	1.0	53
		147E1117	60	5.0	4.0	3.5	3.0	2.5	70
			70	4.0	3.5	3.0	2.5	2.0	66
			80	3.5	3.0	2.5	2.0	1.5	61
		147E1115	90	3.0	2.5	2.0	1.5	1.0	56
			90	3.0	2.5	2.0	1.5	1.0	64
			100	2.5	2.0	1.5	1.0	0.5	60
			110	2.0	1.5	1.0	0.5	-	56
FE07CI-C	3/4	147E1124	120	1.5	1.0	0.5	-	-	52
			20	16	14.0	12.0	10.0	8.0	69
			30	14	12.0	10.0	8.0	6.0	64
			40	11.5	10.0	7.5	6.0	4.0	59
			50	10	8.0	6.0	4.0	2.0	55
		147E1019	60	7.5	6.0	4.0	2.0	-	50
			50	9.5	8.5	7.5	6.5	5.5	74
			60	8.0	7.0	6.0	5.0	4.0	70
		147E0914	70	7.0	6.0	5.0	4.0	3.0	66
			80	6.0	5.0	4.0	3.0	2.0	61
			90	4.5	3.5	2.5	2.0	1.0	56
			80	6.0	4.0	3.5	3.0	3.0	87
90	4.0		3.5	3.5	3.0	2.5	83		
	100	3.5	3.5	3.0	2.5	2.0	80		
	110	3.5	3.0	2.5	2.0	2.0	76		
	120	2.5	2.5	2.0	2.0	1.5	72		

Deep Well - Injector (4" min. i.d. well)

Full Service Factor

Model Number	Injector Order No.	Total Suction Lift Feet	Discharge Pressure - PSI								Shut-off Pressure PSI	Injector Min. Operating Pressure	
			30	35	40	45	50	55	60	65			70
			US Gallons per Minute										
FP1CI-C	CI 147E-1120	50	-	11	9.5	8	6.5	5	4	3	2	82	56
		60	-	10	8	7	5.5	4	3	2	1	78	
		70	-	8	7	6	4.5	3	2	1	-	73	
		80	-	7	6	4.5	3.5	2	1.5	-	-	70	
		90	-	6	5	3.5	2.5	1.5	-	-	-	65	
		100	-	5	4	3	1.5	-	-	-	-	61	

FRANKLIN

Shallow Well - Performance

Full Service Factor

JET PUMPS - CONVERTIBLE C SERIES

SHALLOW-WELL PERFORMANCE

Model No.	HP	Total Suction Lift (ft)	Discharge Pressure (PSI)						Shut-off Pressure (PSI)
			30	35	40	45	50	55	
			Gallons Per Minute (GPM)						
FE05CI-C	1	5	9.7	9.5	9.2	7.6	5.5	3.6	66.1
		10	8.4	8.2	8.0	6.5	4.5	2.7	64.0
		15	7.0	6.9	6.7	5.3	3.4	1.8	61.9
		20	5.2	5.2	5.1	4.0	2.6	0.9	58.7
		25	3.4	3.4	3.4	2.7	1.8	0.0	55.4
FE07CI-C	3/4	5	15.8	15.7	14.1	10.7	7.5	4.0	61
		10	15.0	14.9	12.8	9.2	6.0	2.5	59
		15	14.0	13.9	11.3	7.9	4.5	1.0	57
		20	12.5	12.4	9.6	6.4	3.0	-	54
		25	10.5	10.4	8.3	4.9	1.5	-	52

FPICI-C	1	5	-	-	-	16.8	14.0	11.1	8.1	5.0	1.8	-	-	73.0
		10	-	-	-	-	12.7	9.9	7.0	3.9	-	-	-	71.3
		15	-	-	-	-	11.4	8.7	5.9	2.8	-	-	-	69.5
		20	-	-	-	-	-	7.1	4.2	-	-	-	-	66.7
		25	-	-	-	-	-	5.5	2.5	-	-	-	-	63.8
FPICI-C (High Head)	1	5	-	-	-	-	11.2	8.9	6.8	4.9	3.1	1.4	-	84.2
		10	-	-	-	-	10.0	7.9	5.9	4.0	2.2	-	-	81.6
		15	-	-	-	-	8.8	6.8	4.9	3.1	1.3	-	-	79.0
		20	-	-	-	-	-	5.5	3.9	2.1	0.7	-	-	76.0
		25	-	-	-	-	-	-	4.2	2.8	1	-	-	72.9

Model	HP	Total Suction Lift (ft)	Discharge Pressure (PSI)							Shut-off Pressure (PSI)		
			30	35	40	45	50	55	60		65	
			Gallons Per Minute (GPM)									
FSWJ05P	1/2	5	12.0	10.7	9.1	7.2	4.9	2.8	0.9	-	-	62
		10	-	10.0	8.4	6.3	3.9	1.9	-	-	-	60
		15	-	-	7.7	5.3	3.0	0.9	-	-	-	57
		20	-	-	6.4	4.3	2.2	0.2	-	-	-	55
		25	-	-	5.0	3.3	1.4	-	-	-	-	53
FSWJ07P	3/4	5	-	16.0	14.4	12.6	10.6	8.3	5.0	1.8	-	68
		10	-	-	13.5	11.8	9.7	6.9	3.6	0.2	-	65
		15	-	-	-	11.0	8.8	5.4	2.2	-	-	63
		20	-	-	-	9.0	7.2	3.9	0.8	-	-	60
		25	-	-	-	-	5.6	2.3	-	-	-	58

FRANKLIN

2024



BERKELEY SHALLOW WELL JET PUMP

CAST IRON SERIES

Model #	H.P.	Volts	S.F.	Amps	Max. Depth	Weight Lbs./Kgs	List
5SN	1/2	115/230	1.3	8.8/4.4	22'	40/18	\$1001.00
7SN	3/4	115/230	1.27	12.4/6.2	22'	42/19	\$1108.00
10SN	1	115/230	1.25	14.8/7.4	22'	52/23	\$1541.00
15SN	1 1/2	115/230	1.1	19.2/9.6	22'	67/30	\$1758.00

1 1/4" SUCTION X 1" TOP CENTRE DISCHARGE

NOTE: UNITS WIRED 230 VOLTS • UNIT CAN BE CHANGED DOWN FOR 115v SERVICE



PUMP PERFORMANCE <i>(Capacity in Gallons per Minute)</i>								
H.P.	CAT NO.	DISCHARGE PRESSURE P.S.I.	DYNAMIC SUCTION LIFT					SHUT OFF PRESS. P.S.I.
			5'	10'	15'	20'	22'	
1/2	5SN	30	9.7	8.3	7.4	5.9	4.3	70
		40	7.9	7.2	6.4	5.6	4.1	
		50	4.5	3.8	3.1	2.7	1.8	
3/4	7SN	30	15.0	13.0	11.6	8.7	6.9	70
		40	12.5	11.4	10.1	8.2	6.8	
		50	8.0	6.8	6.1	4.8	3.5	
1	10SN	30	21.4	19.1	16.5	13.3	9.5	67
		40	20.8	18.7	15.8	13.2	9.3	
		50	13.5	11.6	10.1	7.4	2.4	
1 1/2	15SN	30	28.5	25.0	21.4	17.4	12.6	67
		40	28.3	24.4	21.0	17.2	12.3	
		50	21.5	18.3	10.9	3.1	1.6	



BERKELEY SHALLOW WELL JET PUMP

HN SERIES

Model #	H.P.	Volts	S.F.	Amps	Max Depth	Weight Lbs/Kgs	List
5HN	1/2	115/230	1.90	12.4/6.2	22'	45/20	\$1253.00
7HN	3/4	115/230	1.65	14.8/7.4	22'	65/29	\$1590.00
10HN	1	115/230	1.65	18.2/9.1	22'	70/31	\$1765.00

PUMP PERFORMANCE <i>(Capacity in Gallons per Minute)</i>								
	H.P.	DISCHARGE PRESSURE P.S.I.	DYNAMIC SUCTION LIFT					SHUT OFF PRESS. P.S.I.
			5'	10'	15'	20'	22'	
5HN	1/2	30	15.0	13.0	11.6	8.7	6.9	70
		40	12.5	11.4	10.1	8.2	6.8	
		50	8.0	6.8	6.1	4.8	3.5	
7HN	3/4	30	21.4	19.1	16.5	13.3	9.5	67
		40	20.8	18.7	15.8	13.2	9.3	
		50	13.5	11.6	10.1	7.4	2.4	
10HN	1	30	28.5	25.0	21.4	17.4	12.6	67
		40	28.3	24.4	21.0	17.2	12.3	
		50	21.5	18.3	10.9	3.1	1.6	



2024



STANLEY PUMP SUPPLY LTD.

"Suppliers of Quality Water Well Products."

CONVERTIBLE JET PUMP

HL SERIES

Model #	H.P.	Volts	S.F.	Amps	Max Depth	List
5HL	1/2	115/230	1.90	12.4/6.2	70'	\$1264.00
7HL	3/4	115/230	1.65	15.4/7.7	100'	\$1606.00

EJECTOR KIT SOLD SEPARATELY - 54SD Kit

\$228.00

Note All Units Wired 230V • Can be changed down for 115 volt service

Pump Performance

Deep Well (40 PSI) (Capacity in Gallons Per Minute)

HP	CAT. NO.	EJEC. KIT	USES VENTURI	USES NOZZLE	Pumping Depth in Feet												SHUT OFF PSI
					20'	30'	40'	50'	60'	70'	80'	90'	100'	110'	120'		
1/2	5 HL	54SD	J32P-22	J34P-44	8.0	6.9	5.7	4.8	3.8	3.2							94
3/4	7 HL	54SD	J32P-22	J34P-44	8.5	7.7	6.7	6.3	5.8	5.4	4.8	4.0	3.7	3.4	2.7		122
1	10 HL	54SD	J32P-22	J34P-44	9.5	8.5	7.4	6.9	6.5	6.0	5.4	4.8	4.2	3.6	2.9		127

Pump Performance

Shallow Well (Capacity in Gallons Per Minute)

HP	CAT. NO.	EJEC. KIT	USES VENTURI	Shallow Well @ 15' Suction Lift Discharge Pressure						SHUT OFF PSI
				20 PSI	30 PSI	40 PSI	50 PSI	60 PSI	70 PSI	
1/2	5 HL	CK5	N32P-66B	5.2	5.2	5.1	5.0	4.6	—	72
3/4	7 HL	CK1	N32P-72E	12.0	12.0	11.4	10.5	5.0	—	82
1	10 HL	CK2	N32P-64	17.2	17.2	17.0	13.4	3.2	—	72

For 5' suction lift **increase** S.W. capacity as shown by approx. 25%. For 10' suction lift **increase** S.W. capacity as shown by approx. 15%. For 20' suction lift **decrease** capacity as shown by approx. 15%.





STANLEY PUMP SUPPLY LTD.

"Suppliers of Quality Water Well Products."

2024

**CORROSION-RESISTANT SELF-PRIMING
SHALLOW WELL JET PUMPS**

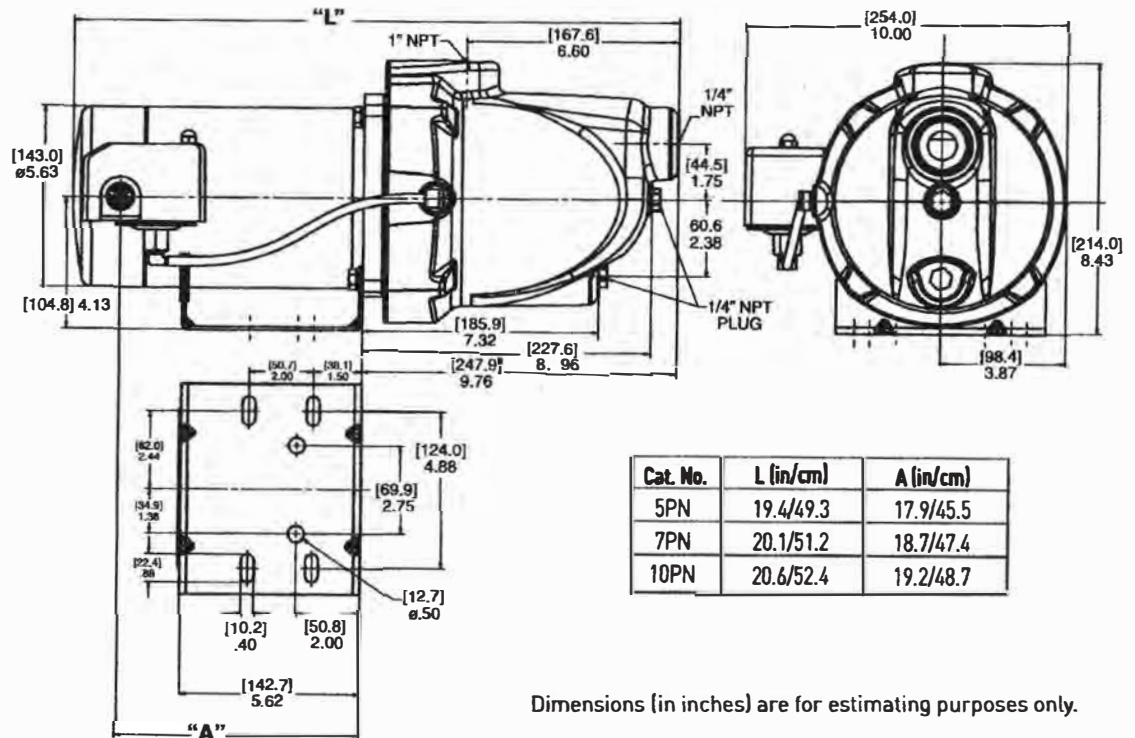
PUMP PERFORMANCE (Capacity in Gallons/Liters Per Minute)						
Catalog Number	HP	Total Suction Lift Ft/M	Discharge Pressure PSI/Bar			Shut Off PSI/Bar
			30/2.1	40/2.8	50/3.5	
5PN	1/2	5/1.5	8.5/32.2	7.4/28.0	5.2/19.7	77/5.30
		10/3.0	7.1/26.9	6.4/24.2	5.1/19.3	
		15/4.6	6.5/24.6	6.1/23.1	4.5/17.0	
		20/6.1	5.4/20.4	5.1/19.3	4.1/15.5	
		25/7.6	4.1/15.5	4.0/15.1	3.4/12.9	
7PN	3/4	5/1.5	12.1/45.8	10.7/40.5	8.5/32.2	78/5.37
		10/3.0	10.7/40.5	10.2/38.6	8.4/31.8	
		15/4.6	9.0/34.1	8.5/32.2	8.1/30.7	
		20/6.1	7.6/28.8	7.3/27.6	7.1/26.9	
		25/7.6	5.3/20.1	5.7/21.6	5.1/19.3	

LIST

\$1101.00

\$1192.00

OUTLINE DIMENSIONS



Cat. No.	L (in/cm)	A (in/cm)
5PN	19.4/49.3	17.9/45.5
7PN	20.1/51.2	18.7/47.4
10PN	20.6/52.4	19.2/48.7

Dimensions (in inches) are for estimating purposes only.

2024



STANLEY PUMP SUPPLY LTD.

"Suppliers of Quality Water Well Products."

PL SHALLOW WELL JET PUMP

**Ejector Sold Separately*

NOTE: Units shipped wired for 230 Volt

SUPERIOR RUST PROOF CONSTRUCTION. Pump body is made of Fiberglass reinforced thermoplastic, is rust proof, light weight & exceptionally strong, with easy serviceability.

Model #	H.P.	Volts	Suction Lift	S/W Jet #	Wt.	List	
5PL	1/2	115/230	22'	21N	30	\$1190.00	
7PL	3/4	115/230	22	22N	33	\$1573.00	
10PL	1	115/230	22'	23N	36	\$1772.00	
PP1500		Seal & Gasket Kit all PL					\$115.00
PP1511	1/2	PL Overhaul Kit					\$269.00
PP1512	3/4	PL Overhaul Kit					\$269.00
PP1513	1	PL Overhaul Kit					\$287.00
PP1514	1 1/2	PL Overhaul Kit					\$313.00



PUMP PERFORMANCE - Shallow Well

H.P.	CAT NO.	PIPE SIZES		DYNAMIC SUCT. LIFT FT.	DISCHARGE PRESSURE - P.S.I.					SHUT OFF PRESS. P.S.I.	PRESS SWITCH SETTING	S.W. JET NO.
		SUCTION PRESS.			20	30	40	50	60			
CAPACITY - GALLONS PER HOUR												
1/2	5PL	1 1/4	1	5	570	550	540	350	180	72	30-50	21N
				10	490	480	470	310	140	70		
				15	430	410	410	270	110	68		
				20	340	340	340	230	66			
3/4	7PL	1 1/4	1	5	970	950	920	520	80	62	30-50	22N
				10	850	840	830	430	60	60		
				15	730	720	710	320	58	58		
				20	580	580	550	220	55			
1	10PL	1 1/4	1	5	1280	1260	1240	790	250	62	30-50	23N
				10	1130	1120	1100	666	100	60		
				15	960	950	940	534	58	58		
				20	770	760	740	340	55			
1	10PL	1 1/4	1	5	1580	1570	1570	1280	460	64	30-50	24N
				10	1420	1400	1390	1150	210	62		
				15	1220	1212	1200	978	60	60		
				20	970	960	950	670	57			





SHALLOW WELL APPLICATION

			Uses Venturi	NOZ#		
21N	1/2	SPL	N32P-72	#51	22'	\$ 228.00
22N	3/4	SPL	N32P-63	#51	22'	\$ 228.00
CK5	1/2	HL	N32P-66B	#55	22'	\$ 228.00
CK1	3/4	HL	N32P-72E	#53	22'	\$ 228.00
CK2	1	HL	N32P-64	#54	22'	\$ 228.00

CONVERTIBLE TO DEEP WELL



Model #	HP	Pump Series	Component Chart			Min.	Max.	List
			For SW Use	Nozzle	For DW Use	Well Size	Depth	
54SD	1/2	SBBL/HL	N32P-66B	#54	J32P-22	4"	25' - 70'	\$ 228.00
54SD	3/4	SBBL/HL	N32P-72E	#54	J32P-22	4"	25' - 80'	\$ 228.00
54SD	1	SBBL/HL	N32P-64	#54	J32P-22	4"	25' - 100'	\$ 228.00

2" SPECIAL EJECTOR APPLICATION



2-8AP	1/3 & 1/2	HL	2"	30' - 90'	\$228.00
2-8AP	3/4 & 1	HL	2"	90' - 110'	\$228.00

EJECTOR KIT ACCESSORIES

J216-13A	2" Casing Adapter	\$269.00
J216-14A	3" Casing Adapter	\$269.00
BVA100	Use on BEK 3"	\$ 35.75



2024



STANLEY PUMP SUPPLY LTD.

"Suppliers of Quality Water Well Products."

SEALS

Order #		Shaft Size	List
SR1000	Fits on most Sta-Rite, SR, GSW after 1981, Red Jacket	.625	\$15.45
SR2000	Fits on most Jacuzzi, Meyers "HJ" & "HD", Monarch	.625	\$15.45
SR2010	Fits on most GSW, Monarch Gas Drives	.750	\$20.60

SPECIALTY SEALS

ORDER #		LIST
100V	Viton - for Hi-temperature 225°F	\$50.00
200V	Viton - for Hi-temperature 225°F	\$50.00

START CAPACITORS FOR JET PUMPS

For motor starting applications. Capacitors are dry eletrolytic non-polarized types for intermittent duty in AC motor starting circuits.

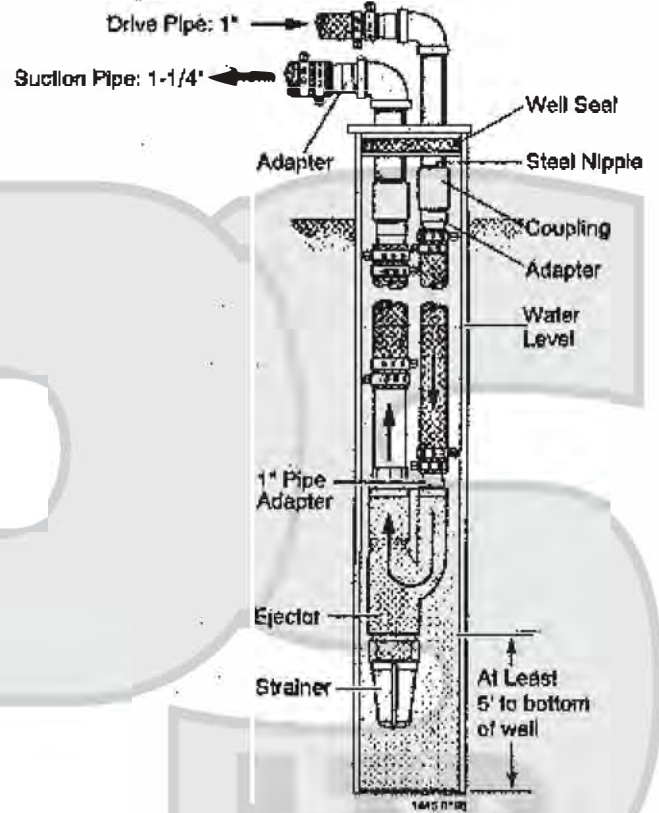
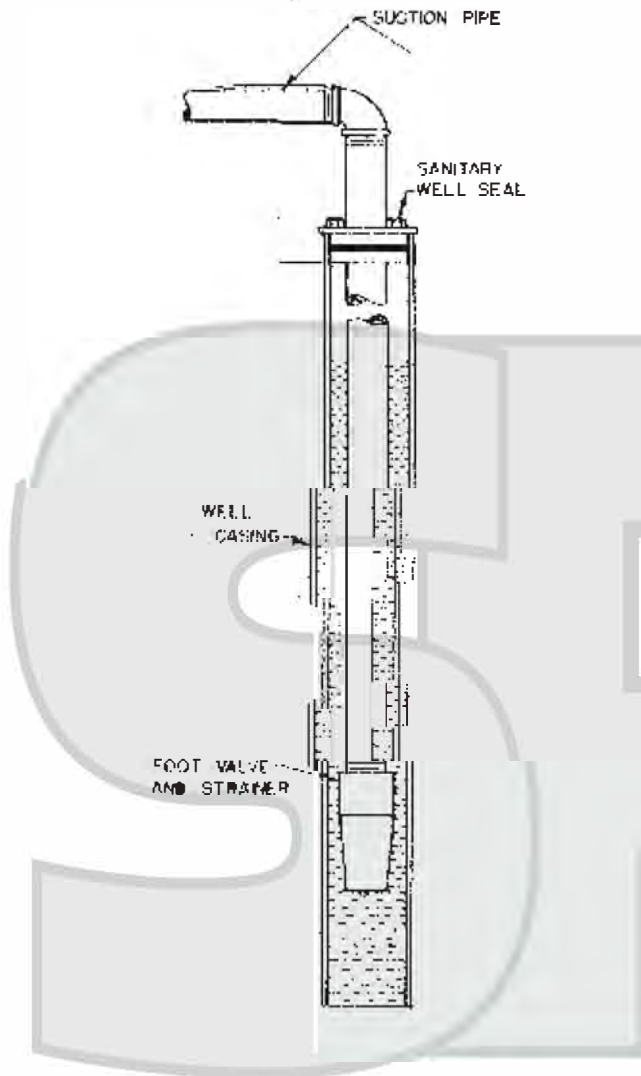
Order #	MFD	HP	Dimensions	List
PP2201	124 - 148	1/3, 1/2	1 7/16" x 2 3/4"	\$18.40
PP2202	161 - 193	3/4	1 7/16" x 2 3/4"	\$19.82
PP2203	216 - 259	1	1 7/16" x 3 3/8"	\$22.00
PP2204	270 - 324	1 1/2	1 13/16" x 3 3/8"	\$23.70

MISCELLANEOUS PARTS

Order #		List
PP1520	Overhaul Kit 1/2 - 5PN, SPNC	\$218.00
PP1521	Overhaul Kit 3/4 - 7PN, SPNC	\$218.00
PP1560	1/3 Overhaul Kit - Includes: impeller, diffuser, gasket, seal, diffuser ring	\$190.00
PP1561	1/2 Overhaul Kit - Includes: impeller, diffuser, gasket, seal, diffuser ring	\$191.00
PP1563	3/4 Overhaul Kit - Includes: impeller, diffuser, gasket, seal, diffuser ring	\$218.00
PP1564	1 Overhaul Kit - Includes: impeller, diffuser, gasket, seal, diffuser ring	\$220.00

NOTE: Above Overhaul Kits will interchange on the following makes: Sta-Rite, SR, GSW, McDougall, Master Craft, Beatty - Mfg after 1981.

**SHALLOW WELL
 INSTALLATION**



**Double Pipe Deep Well Installation
 (well is 4" in diameter or larger)**

RECOMMENDED FUSING AND WIRING DATA - 60 CYCLE MOTORS

Motor Horsepower	Volts	Max. Load Amperes	Branch Fuse* Rating-Amp	DISTANCE IN FEET FROM MOTOR TO METER					
				0 TO 50	51 TO 100	101 TO 200	201 TO 300	301 TO 400	401 TO 500
				WIRING SIZE					
1/3	115/230	9.4/4.7	15/15	14/14	14/14	12/14	10/12	8/12	8/10
1/2	115/230	12.2/6.1	20/15	12/14	12/14	10/14	8/14	6/12	4/10
3/4	115/230	14.8/7.4	20/15	12/14	12/14	8/14	6/12	6/12	4/10
1	115/230	19.2/9.6	25/15	10/14	10/14	8/14	6/12	4/10	2/10

* Fusetrons are recommended instead of fuses on all motor circuits.



STANLEY PUMP SUPPLY LTD.
"Suppliers of Quality Water Well Products."

2024

E.SYBOX MINI 3	115V	\$2308.00
E.SYBOX	230V	\$4350.00
E.SYWALL	BRACKET	\$253.00
E.SYTWIN	TWIN BASE	\$1209.00



Drinking Water
NSF / ANSI 61

e.sybox^{mini}

ELECTRONIC PRESSURISATION SYSTEM

